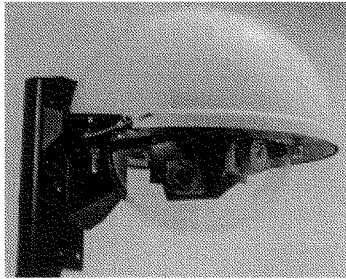


3820 DSP COLOR CAMERA PRESSURIZED DOME

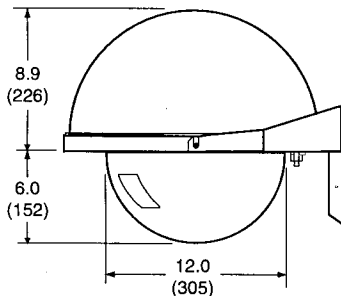
Installation and Operation Manual



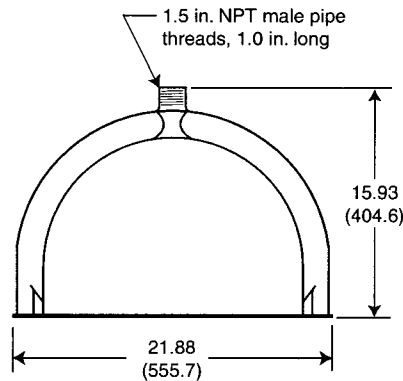
This camera/positioner provides a color viewing system offering precise and fast positioning using RS-422 control signals.

Win MPC Graphical User Interface (GUI) software is available for setting the address and performing field tests for each camera. This can be obtained at no cost from either the Cohu cctv web site or by mail on floppy disk.

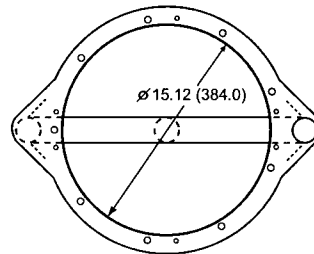
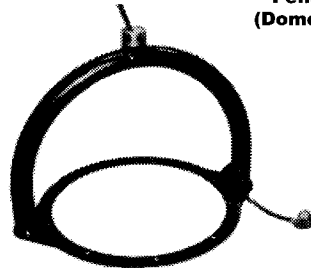
Cams or **Net Cams** GUI software is available to control a system of cameras and positioners. Either version can be purchased through the Sales Department of Cohu Electronics.



Dimensions in inches and (millimeters)
**Wall and Pole Mount Configuration
(Shown with Dome)**



**Pendant Mount
(Dome Not Shown)**



Bottom view

MANUAL NO. 6X-1010

Phone: 858-277-6700

Email: info@cohu.com

FAX: 858-277-0221

WEB: www.cohu.com/cctv

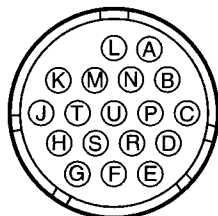
COHU
Cohu Inc., Electronics Division

Cohu Electronics • 3912 Calle Fortunada • San Diego, CA 92123-1827

3820

Txd+	S
Txd-	R
Data Gnd	P
Alarm Input 2	B
Alarm Gnd	C
Spare	D
Rxd+	M
Rxd-	N
Low Pres Alarm	K
Alarm Input 1	J
24 Vac Blower	E
	F
24 Vac Cam Pwr	H
	G
Video out	L
Video shield	A

**24 VAC VERSION
MODEL 3824**

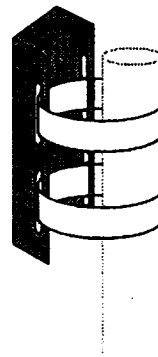


**PIN VIEW OF BULKHEAD CONNECTOR
(SAME AS WIRING VIEW OF MATING PLUG)**

PRESSURIZED DOME

Txd+	S
Txd-	R
Data Gnd	P
Alarm Input 2	B
Alarm Gnd	C
Spare	D
Rxd+	M
Rxd-	N
Low Pres Alarm	K
Alarm Input 1	J
Spare	E
Spare	F
Spare	H
115 Vac Gnd	G
115Vac	(low) T
	(high) U
Video out	L
Video Shield	A

**115 VAC VERSION
MODEL 3825**



Pole Mount Adapter

Use TensionTool 7411411-001 to set proper tension of stainless steel straps

REQUIRED BUT NOT SUPPLIED

3/8 stainless steel mounting hardware
(wall and pole mount versions)

Cable, multiconductor (system connection)

Win MPC test and setup GUI

Data control such as **Cams** or **Net Cams** GUI

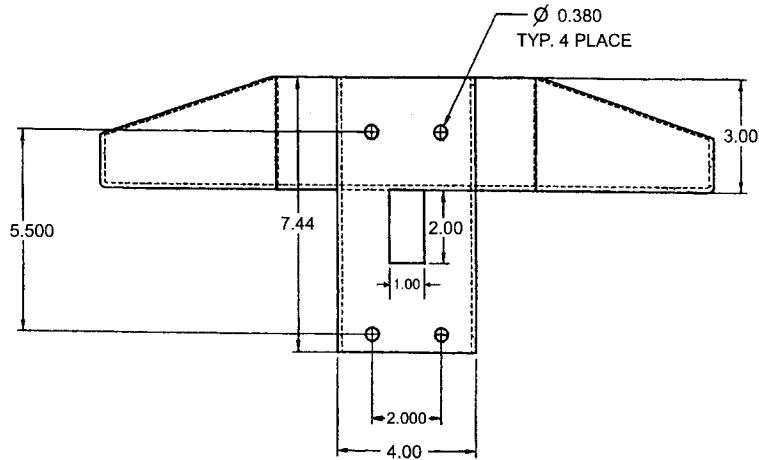
WARNING

Model 3825 versions of this dome camera operate from 115 V ac. Use all appropriate care when installing and maintaining this equipment.

Camera must be maintained at 3 to 5 pounds pressure of dry nitrogen. Use the Schrader valve on the bottom of housing to replenish when necessary

PRESSURIZED DOME

3820

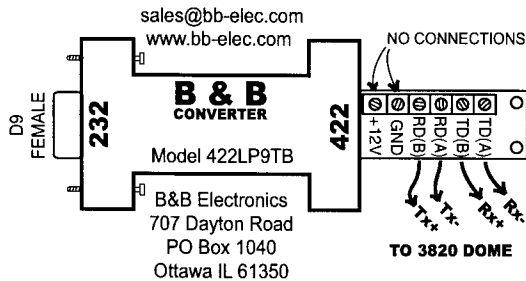


Wall/Pole Mount Bracket Mounting Dimensions

The wall/pole mount version of this dome camera has a connector at the bottom rear. All power and signal connections are through this connector. After connecting the cable to the connector install the weather shield.

The pendant mount version of this dome camera typically receives all power and signal connections from a cable routed through the hanging pendant mount. The cable routes out of the hollow tubing and over to the camera connector on the bottom of the housing. After connecting to this connector install the weather shield.

NOTE: The coax cable must be 75-ohm terminated to ensure proper operation of the dome.



A converter of this type converts the RS-232 output of a PC to RS-422 for communications with a dome during field setup and testing.

A local PC with **WIN MPC** software typically is used in this application.

Typical RS-232/422 Converter

This equipment has been tested and found to comply with limits for class A digital devices, pursuant to part 15 of the FCC rules.

WARRANTY

Cohu, Inc., Electronics Division, warrants equipment manufactured to be free from defects of material and workmanship. Any part or parts will be repaired or replaced when proven by Cohu examination to have been defective within one year from date of shipment to the original purchaser.

All warranty repairs will be performed at the factory or as otherwise authorized by Cohu in writing. Transportation charges to Cohu shall be prepaid by purchaser.

This warranty does not extend to Cohu equipment subjected to misuse, accident, neglect, or improper application, nor repaired or altered by other than Cohu or those authorized by Cohu in writing. **Television image pickup tubes, image intensifiers, lenses, and products manufactured by companies other than Cohu are warranted by the original manufacturer.** This warranty is in lieu of all other warranties expressed or implied. Cohu shall not be liable for collateral or consequential damages.

A Return Authorization (RA) number must be obtained from Cohu prior to returning any item for warranty repairs or replacement.